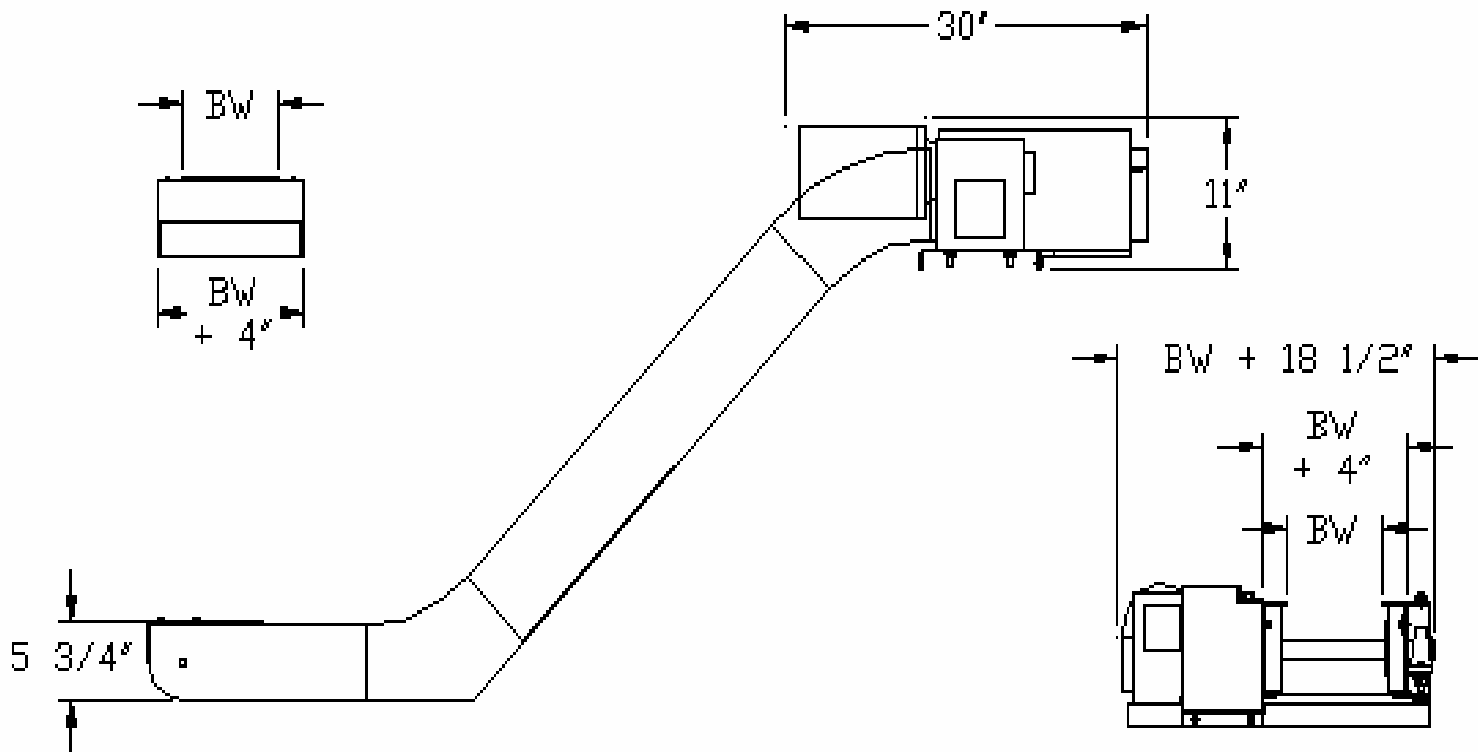


MODEL 725

SIDE MOUNT DRIVE

LOW PROFILE INFEED 2 1/2" PITCH HINGED STEEL BELT CONVEYOR

This unit features a very shallow infeed depth combined with the strength of a deeper frame intermediate and drive. The shallow 5 3/8" deep infeed is designed to fit under an existing machine. The remainder of the unit is 6 5/8" deep which provides a combination of both strength and space flexibility.



SIDE MOUNT DRIVE

SIDE MOUNT DRIVE

1700 Division Street, New London, WI 54961

Phone: (800) 437-1994

Fax: (920) 982-6800

www.nleco.com